

State of Wyoming Corner Record

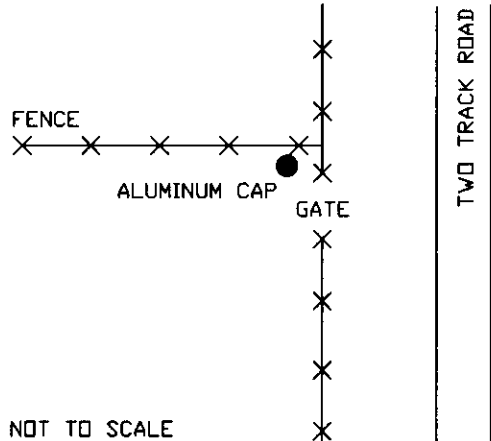
(In compliance with the **CORNER PERPETUATION AND FILING ACT**, Wyoming Statutes, 1977 Section 36-11-101, et. seq., and the Rules and Regulations of the Board of Professional Engineers and Professional Land Surveyors)

Reverse side of this form may be used if more space is needed.

Record of original survey and citation of source of historical information (if corner is lost or obliterated). Description of corner monumentation evidence found and/or monument and accessories established to perpetuate the location of this corner. Sketch of relative location of monument, accessories, and reference points with course and distance to adjacent corner(s) (if determined in this survey). Method and rationale for reestablishment of lost or obliterated corner.

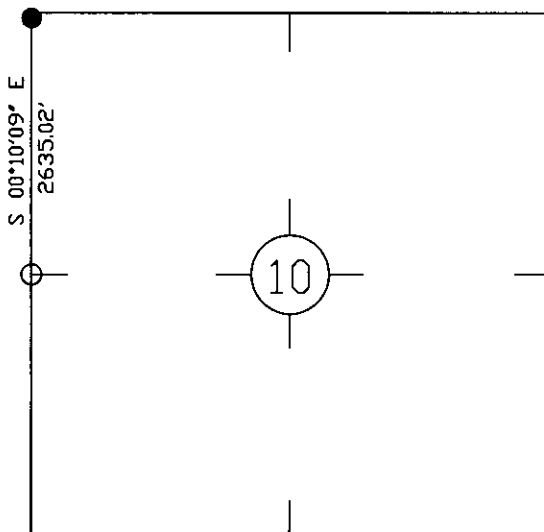
ALL BEARINGS AND DISTANCES REPORTED HEREON ARE REFERRED TO THE WYOMING EAST STATE PLANE COORDINATE SYSTEM AS DETERMINED BY UTILIZING GLOBAL POSITIONING SYSTEMS AND GRID NORTH REFERENCE. ALL DISTANCES ARE GRID DISTANCES UTILIZING SCALE FACTOR ADJUSTMENTS.

FOUND: 2 1/2" DIA. ALUMINUM CAP MONUMENT ON A 3/4" DIA. REBAR, EXTENDING 5" ABOVE GROUND.
 FENCE CORNER 2' EASTERLY OF MONUMENT.
 TWO TRACK ROAD 15' EASTERLY OF MONUMENT.

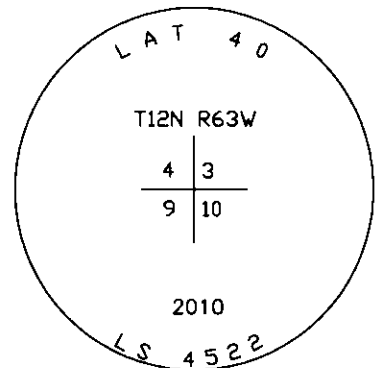


NOT TO SCALE

Monument location



Monument Inscription



Date of Field Work: 5/5/2011

Office Reference: 18589

Cross Index Plat

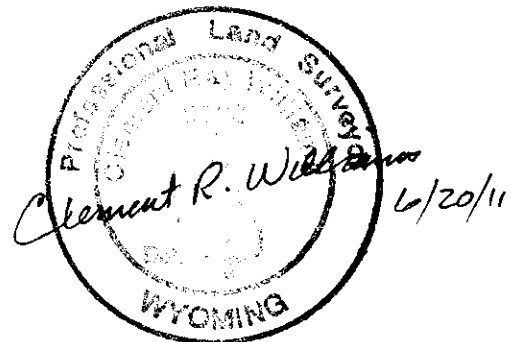
	1	2	3	4	5	6	7	8	9	10	11	12	13	14	15	16	17	18	19	20	21	22	23	24	25		
A																											A
B	+	+	+	+	+	+	+	+	+	+	+	+	+	+	+	+	+	+	+	+	+	+	+	+	+		B
C	+	6	+	+	5	+	+	+	4	+	+	+	3	+	+	+	2	+	+	+	1	+	+	+	+		C
D	+	+	+	+	+	+	+	+	+	+	+	+	+	+	+	+	+	+	+	+	+	+	+	+	+		D
E	+	+	+	+	+	+	+	+	+	+	+	+	+	+	+	+	+	+	+	+	+	+	+	+	+		E
F	+	+	+	+	+	+	+	+	+	+	+	+	+	+	+	+	+	+	+	+	+	+	+	+	+		F
G	+	7	+	+	8	+	+	+	9	+	+	+	10	+	+	+	11	+	+	+	12	+	+	+	+		G
H	+	+	+	+	+	+	+	+	+	+	+	+	+	+	+	+	+	+	+	+	+	+	+	+	+		H
J	+	+	+	+	+	+	+	+	+	+	+	+	+	+	+	+	+	+	+	+	+	+	+	+	+		J
K	+	+	+	+	+	+	+	+	+	+	+	+	+	+	+	+	+	+	+	+	+	+	+	+	+		K
L	+	18	+	+	17	+	+	+	16	+	+	+	15	+	+	+	14	+	+	+	13	+	+	+	+		L
M	+	+	+	+	+	+	+	+	+	+	+	+	+	+	+	+	+	+	+	+	+	+	+	+	+		M
N	+	+	+	+	+	+	+	+	+	+	+	+	+	+	+	+	+	+	+	+	+	+	+	+	+		N
O	+	+	+	+	+	+	+	+	+	+	+	+	+	+	+	+	+	+	+	+	+	+	+	+	+		O
P	+	19	+	+	20	+	+	+	21	+	+	+	22	+	+	+	23	+	+	+	24	+	+	+	+		P
Q	+	+	+	+	+	+	+	+	+	+	+	+	+	+	+	+	+	+	+	+	+	+	+	+	+		Q
R	+	+	+	+	+	+	+	+	+	+	+	+	+	+	+	+	+	+	+	+	+	+	+	+	+		R
S	+	+	+	+	+	+	+	+	+	+	+	+	+	+	+	+	+	+	+	+	+	+	+	+	+		S
T	+	30	+	+	29	+	+	+	28	+	+	+	27	+	+	+	26	+	+	+	25	+	+	+	+		T
U	+	+	+	+	+	+	+	+	+	+	+	+	+	+	+	+	+	+	+	+	+	+	+	+	+		U
V	+	+	+	+	+	+	+	+	+	+	+	+	+	+	+	+	+	+	+	+	+	+	+	+	+		V
W	+	+	+	+	+	+	+	+	+	+	+	+	+	+	+	+	+	+	+	+	+	+	+	+	+		W
X	+	31	+	+	32	+	+	+	33	+	+	+	34	+	+	+	35	+	+	+	36	+	+	+	+		X
Y	+	+	+	+	+	+	+	+	+	+	+	+	+	+	+	+	+	+	+	+	+	+	+	+	+		Y
Z	+	+	+	+	+	+	+	+	+	+	+	+	+	+	+	+	+	+	+	+	+	+	+	+	+		Z

Firm/Agency, Address

D.R. GRIFFIN & ASSOCIATES, INC.
1414 ELK STREET, SUITE 202
ROCK SPRINGS, WYOMING 82901
 Telephone Number: 362-5028

This corner record was prepared by me or under my direction and supervision.

SEAL & SIGNATURE



Corner Name Northwest Corner Section 10, T 12 N, R 63 W, 6th P.M.
 County: Laramie Wyoming

Cross-Index No.: E-13